

2MP HD Fixed IR Turret Analog Camera

UAC-T112-F28

UAC-T112-F40



Introduction

UAC-T112-F28/F40 is a 2MP HD Fixed IR Turret Analog Camera with a high-performance 1/3-inch CMOS sensor. It supports TVI/AHD/CVI/CVBS, which effectively enhances product adaptability and diversity of networking solutions. With SYV-75-3 or other coaxial cable types the camera can achieve low-cost, long-distance, anti-interference, and low delay mega-pixel HD video transmission. The camera supports IR cut filter and provides color images at daytime and black/white images at night.

Features

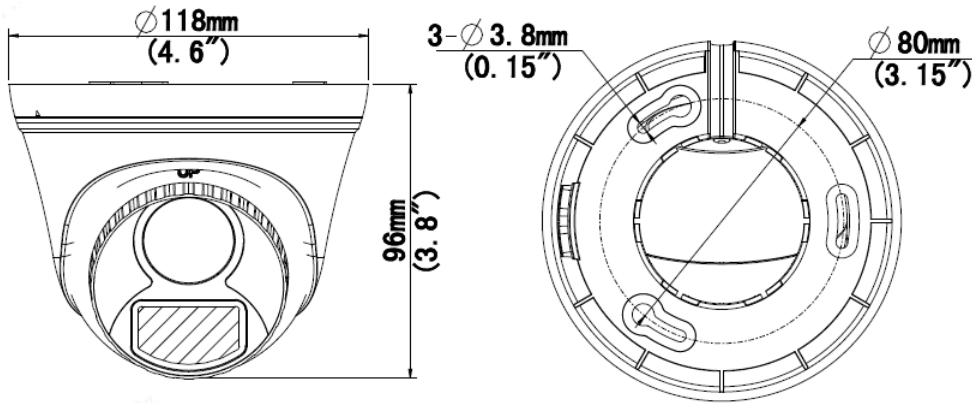
- 2MP high quality image
- TVI/AHD/CVI/CVBS
- IR-cut filter with auto switch (ICR)
- Supports 180° horizontal flip, 180° vertical flip
- OSD configuration menu, easy to operate
- IP67 waterproof and dustproof design, high reliability
- OSD configuration menu in 11 languages

Specifications

Model	UAC-T112-F28	UAC-T112-F40
Sensor		
Pixel	2MP	
Size	1/3"	
Minimum illumination	0.02 lux (F2.0, AGC ON) 0.00 lux (IR on)	
Lens		
Lens	2.8mm	4.0mm
Lens mount	M12	
Angle of view	H: 90.5° V: 49.6° D: 109.5°	H: 80.2° V: 40.7° D: 90.2°
Illuminator		
Illuminator	One IR illuminator	
Illumination distance	20m	
Lifetime	≥60,000 hours	
Image		
Resolution	1080P: 1920(H)×1080(V) 720P: 1280(H) ×720(V)	
Frame rate	TVI/AHD/CVI: 1080P@30fps, 1080P@25fps; 720P@30fps, 720P@25fps CVBS: PAL, NTSC	
Shutter time	PAL: 1/25s-1/50000s NTSC: 1/30s-1/50000s	
Image		
Exposure mode	4 modes: Global (default), BLC, HLC, DWDR	
Day/Night	3 modes: Auto (default), Day, Night	
Digital noise reduction	2D	
White balance	Two modes: Auto (default), Manual	
WDR	DWDR	
Smart IR	Support	
Flip	Supports 180° horizontal flip, 180° vertical flip.	
Interface		
Power	5.5mm power interface	
Video output	BNC, supports TVI/AHD/CVI/CVBS	
Operating environment		
Temperature	-30°C to 60°C (-22°F to 140°F)	
Humidity	≤95% (RH, non-condensing)	
Surge protection	4KV	
Ingress protection	IP67	
General		
Power	DC 12V(±25%), with reverse polarity protection and surge protection, Max 2.88W	
Mount	Surface mount (default), optional backbox, wall mount bracket	
Dimensions	Φ118mm*96mm (diameter*height)	
Material	Plastic	
Weight	182g(0.401lb)	

Certification	CB, CE, FCC
---------------	-------------

Dimensions



UAC-T112-F28/F40

Ordering Information

Model	Remarks
UAC-T112-F28	2MP HD Fixed IR Turret Analog Camera (2.8mm fixed-focal lens, 20m IR, DC12V)-Overseas version, power adapter sold separately
UAC-T112-F40	2MP HD Fixed IR Turret Analog Camera (4.0mm fixed-focal lens, 20m IR, DC12V)-Overseas version, power adapter sold separately

Accessory Model	Image	Remarks
TR-JB03-I-IN		Plastic turret camera backbox (supports rear cabling)-D117.75mm*37.5mm, sold separately
TR-WM03-D-IN		Fixed mini dome/plastic turret camera wall mount bracket --126.42mm*125.57mm*183.37mm, sold separately
TR-JB07/WM03-G-IN		Fixed mini dome/plastic turret camera wall mount bracket --126.42mm*126.65mm*230.47mm, sold separately

Comment [H01]: 碟机 未翻译出来

Comment [H02]: 碟机 未翻译

Zhejiang Uniview Technologies Co., Ltd.

Building No.10, Wanlun Science Park, Jiangling Road 88, Binjiang District, Hangzhou, Zhejiang, China (310051)

Email: overseasbusiness@uniview.com; globalsupport@uniview.com

http://www.uniview.com

©2022 Zhejiang Uniview Technologies Co., Ltd. All rights reserved.

*Product specifications and availability are subject to change without notice.